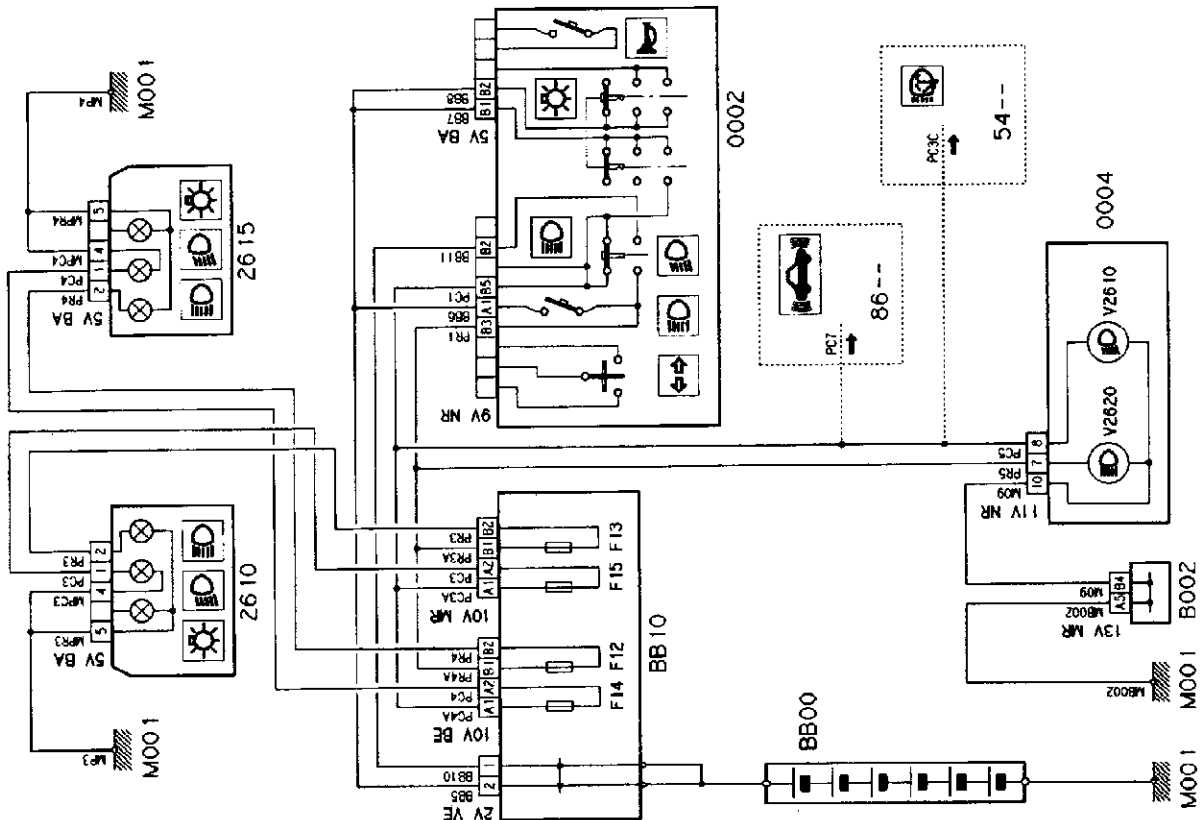
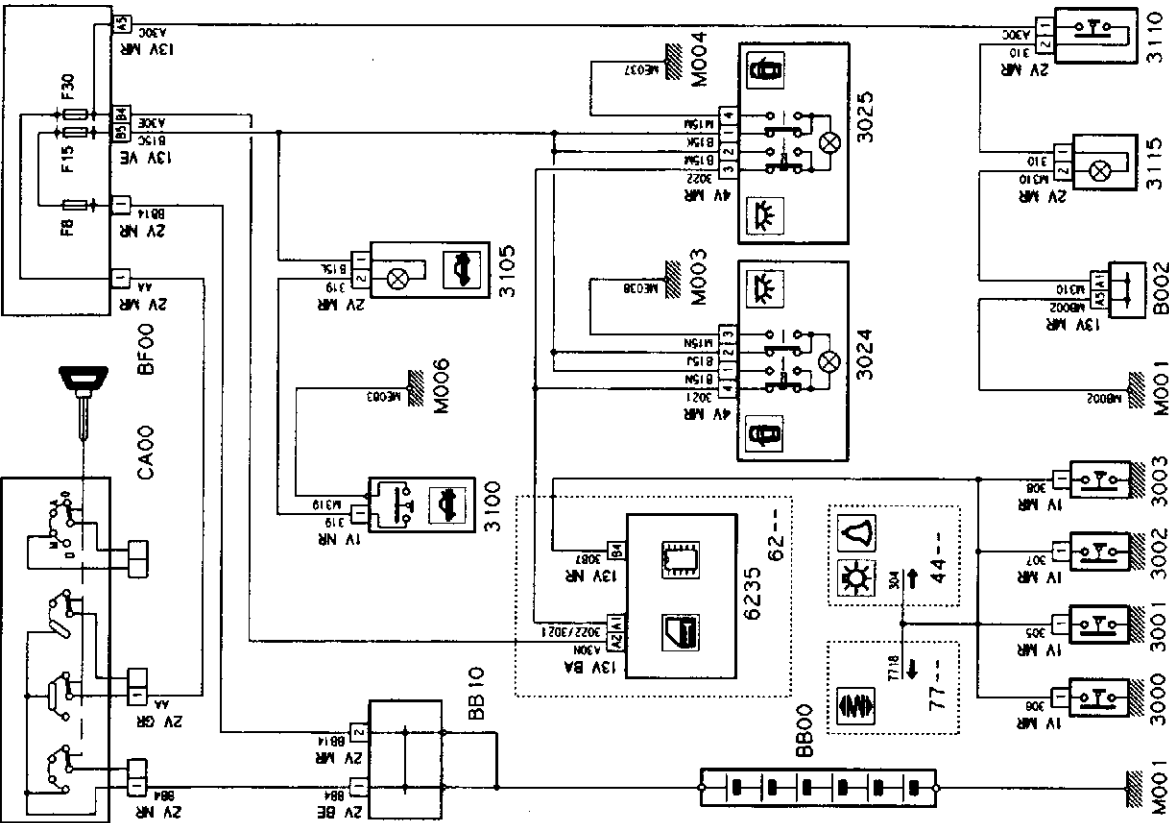


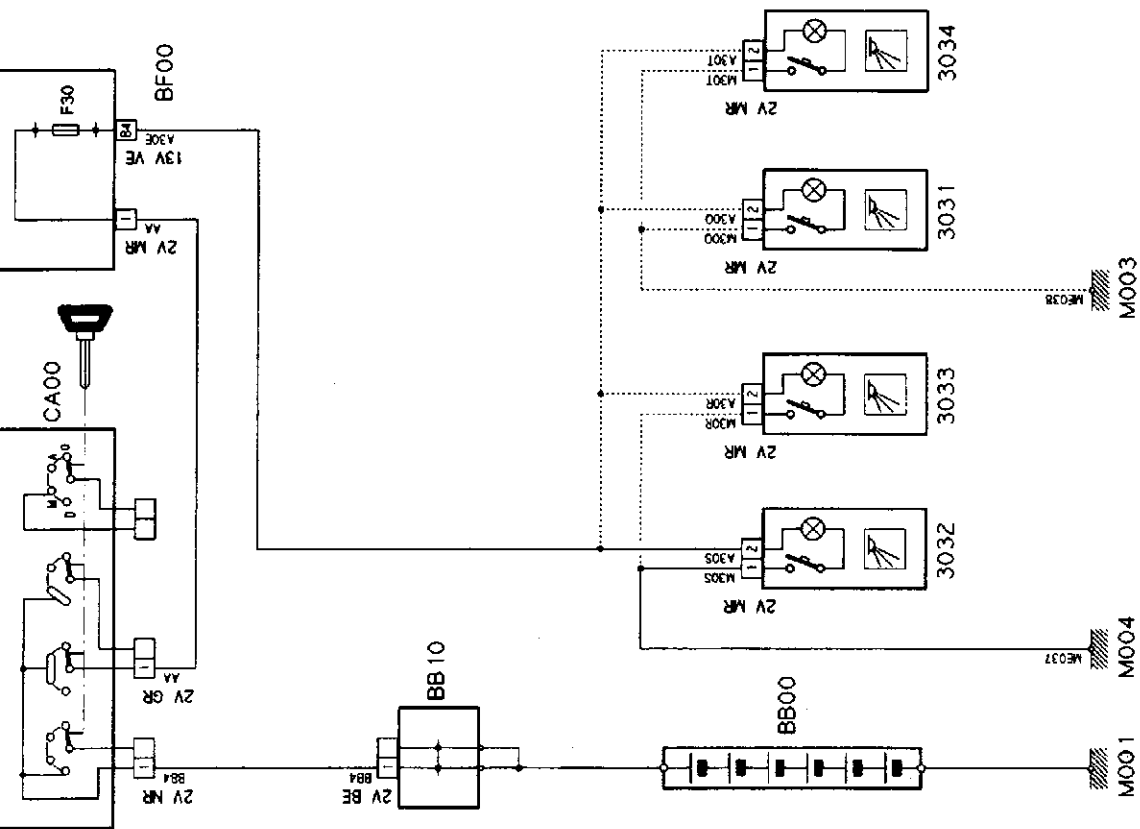
Lighting rheostat



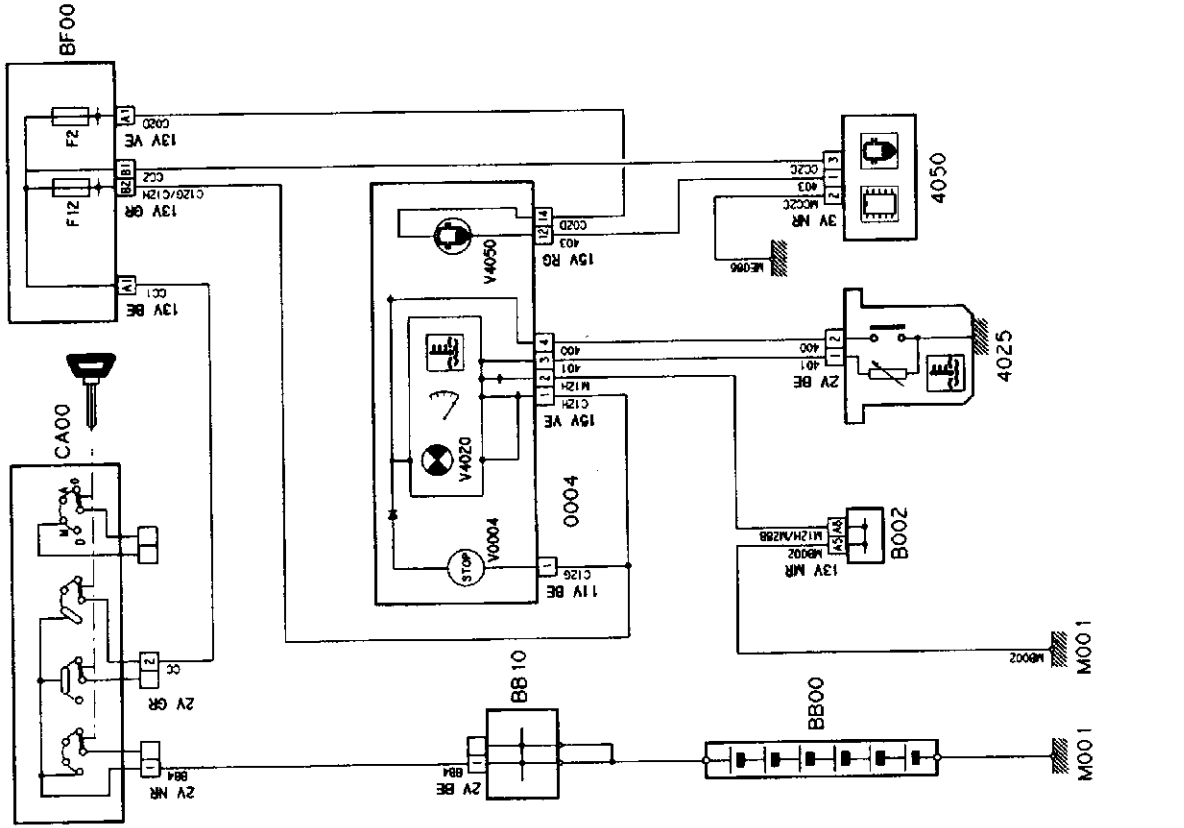
Main and dipped beams



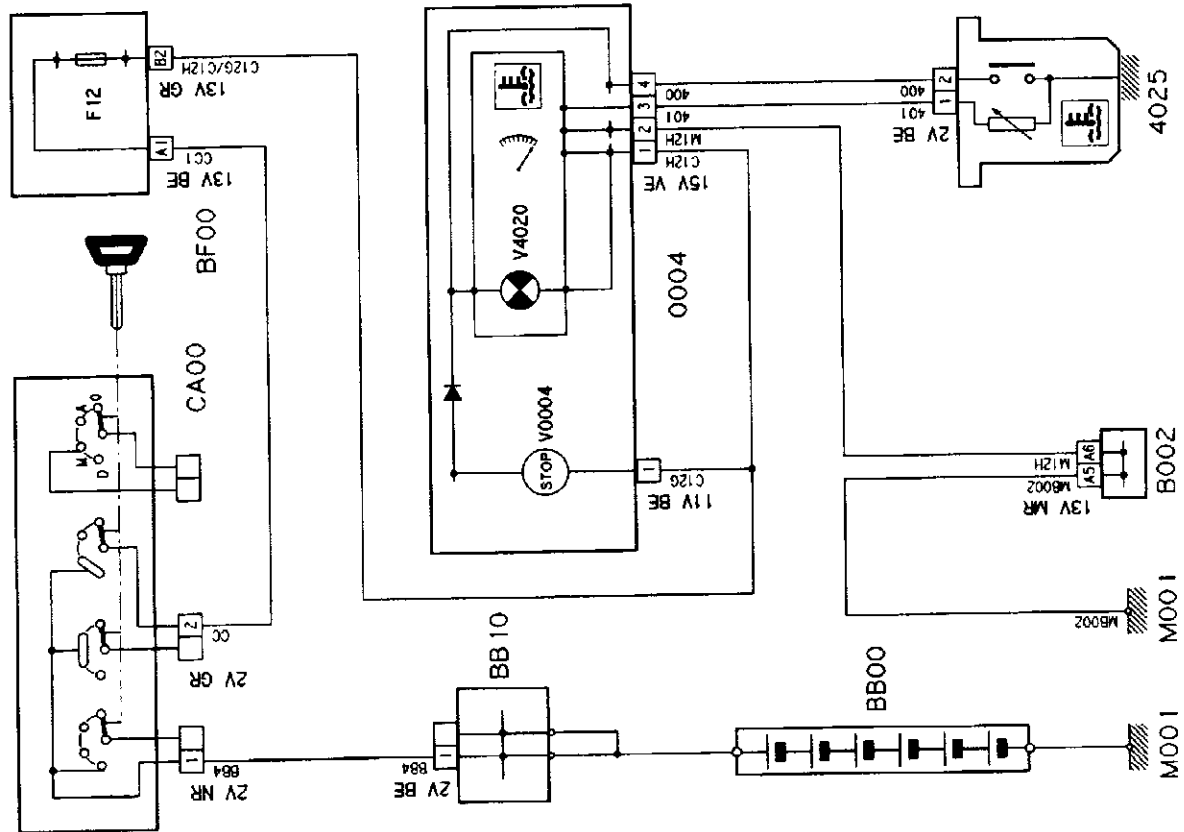
Typical interior lighting



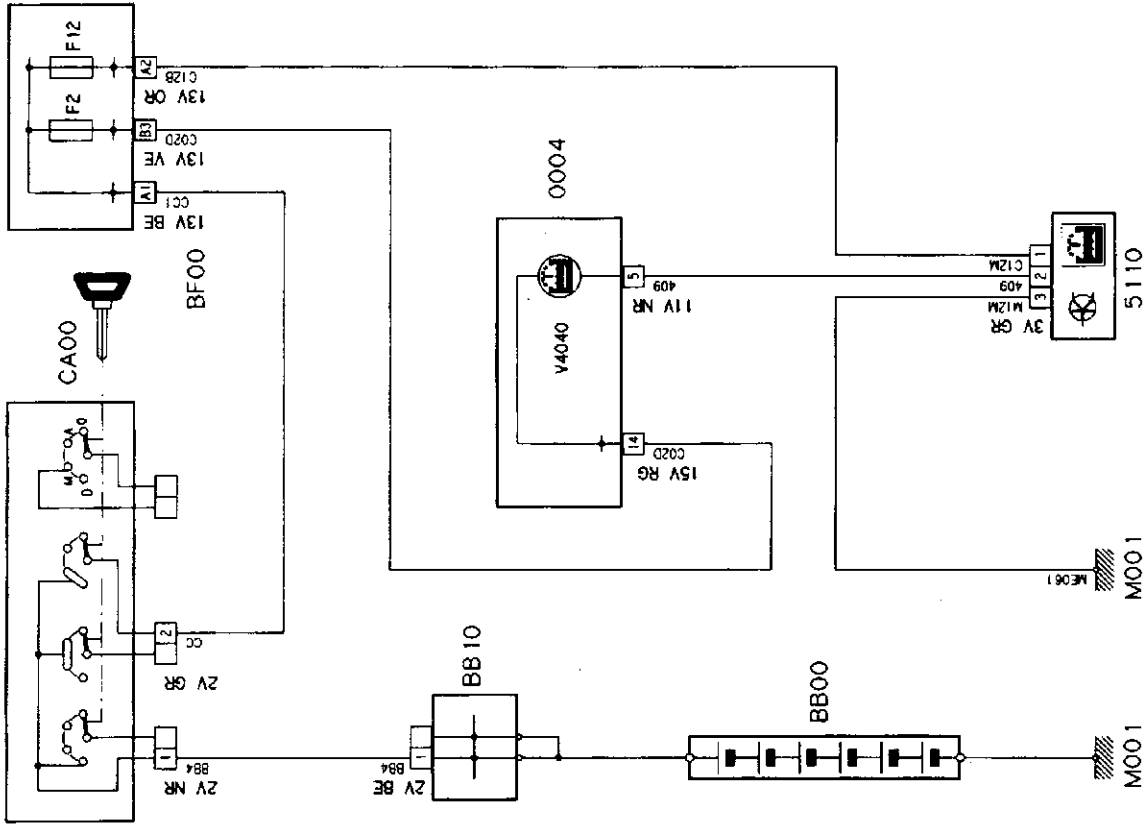
Typical map reading lights



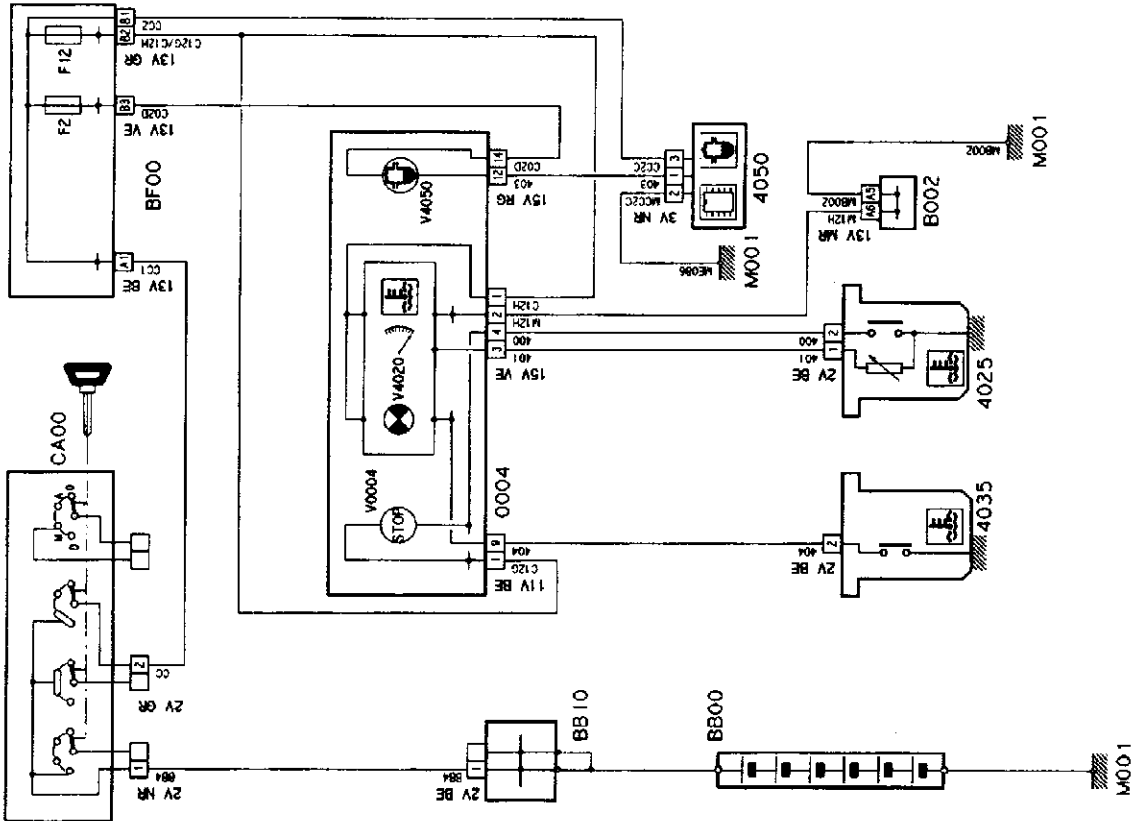
Diesel (non turbo) coolant temperature warning and level, water in fuel warning



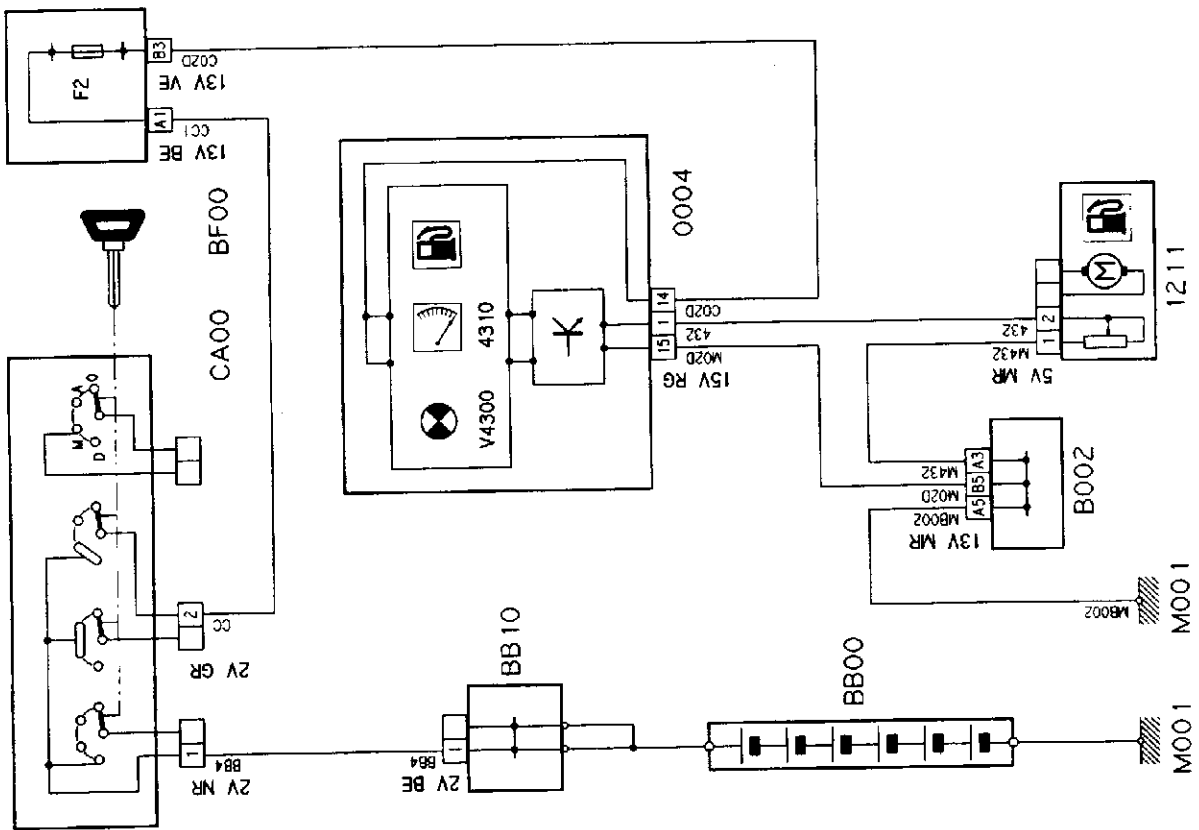
Coolant temperature warning and level (petrol)



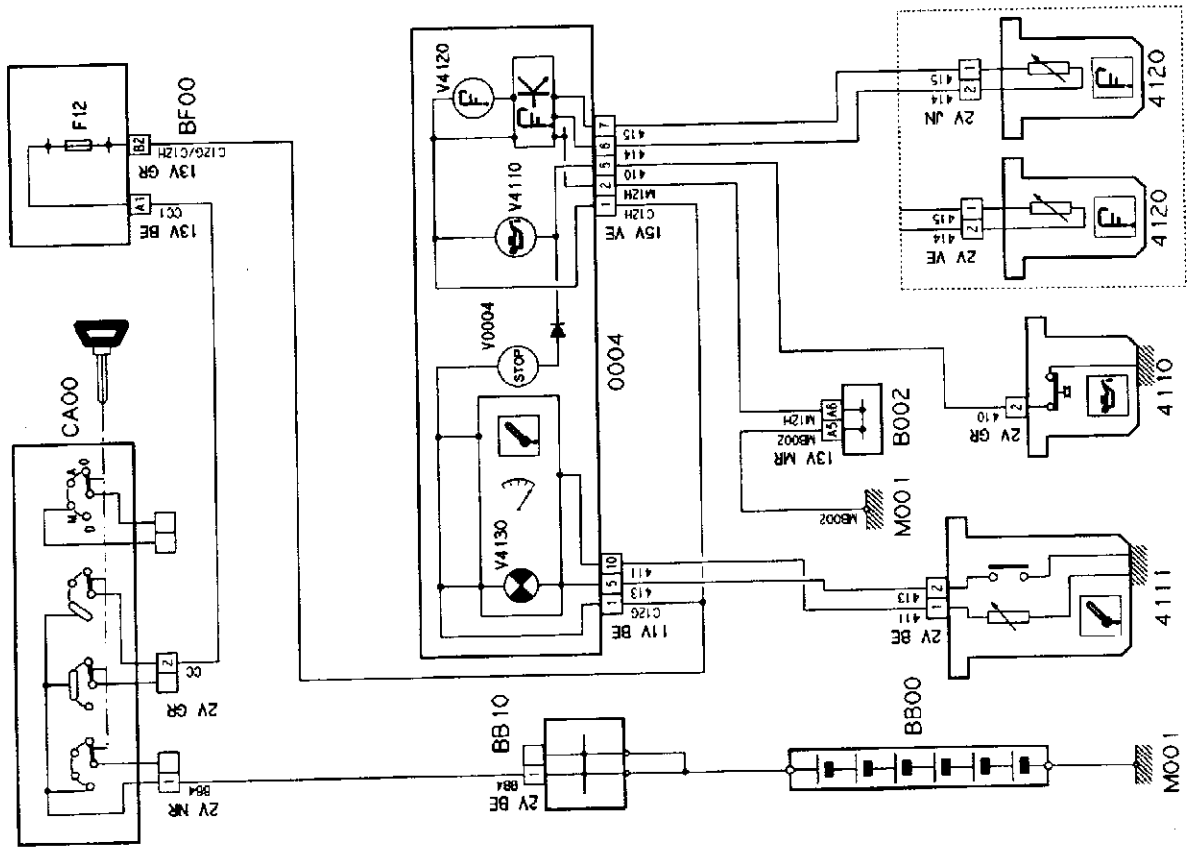
Screen washer reservoir level



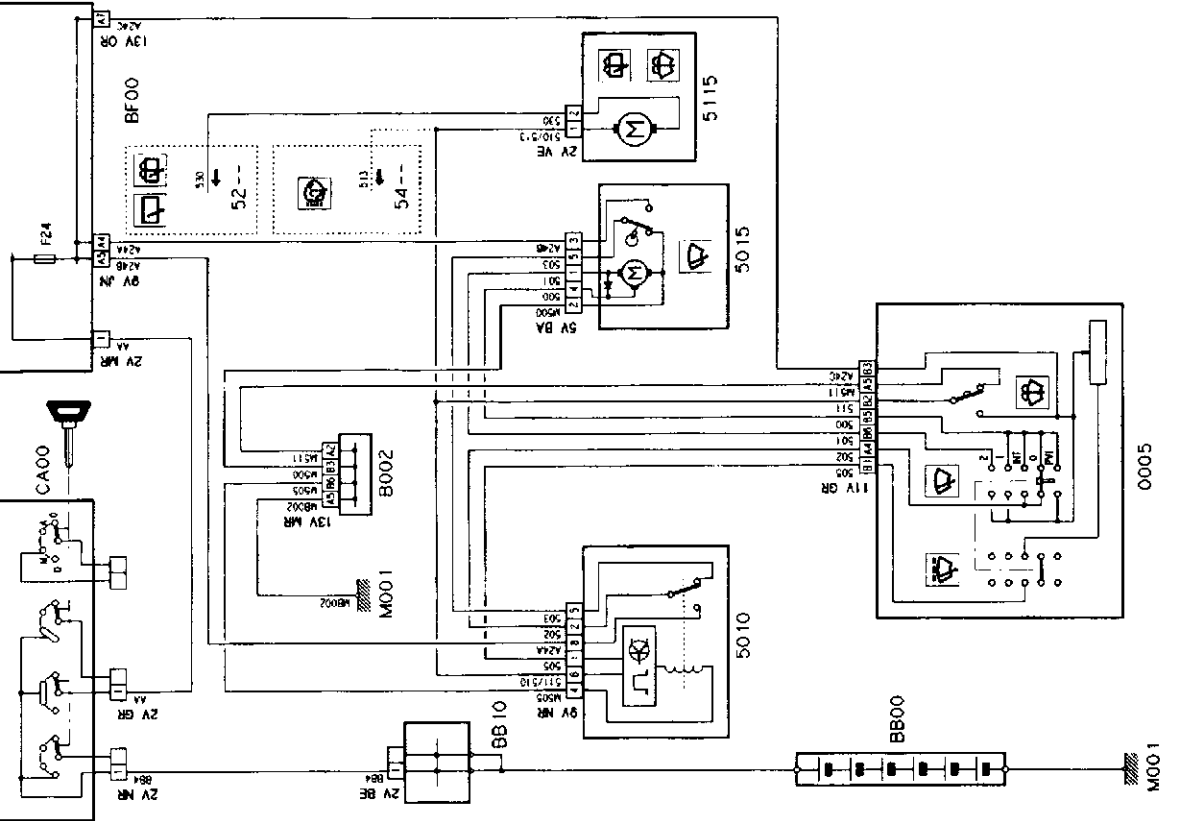
Diesel (turbo) coolant temperature warning and level, water in fuel warning



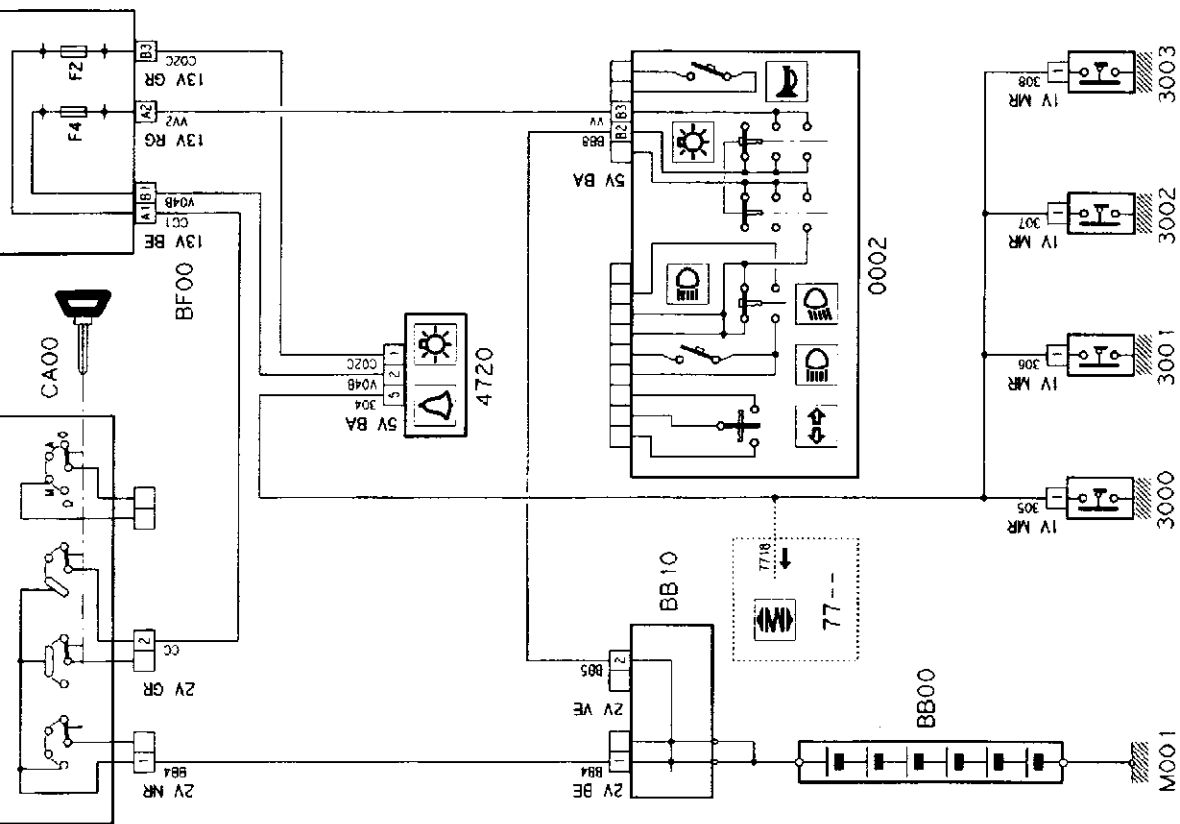
Fuel gauge



Typical oil temperature, level and pressure



Typical windshield wash/wipe



Typical lights-on (audible warning)