

Key to components (not all items fitted to all models)

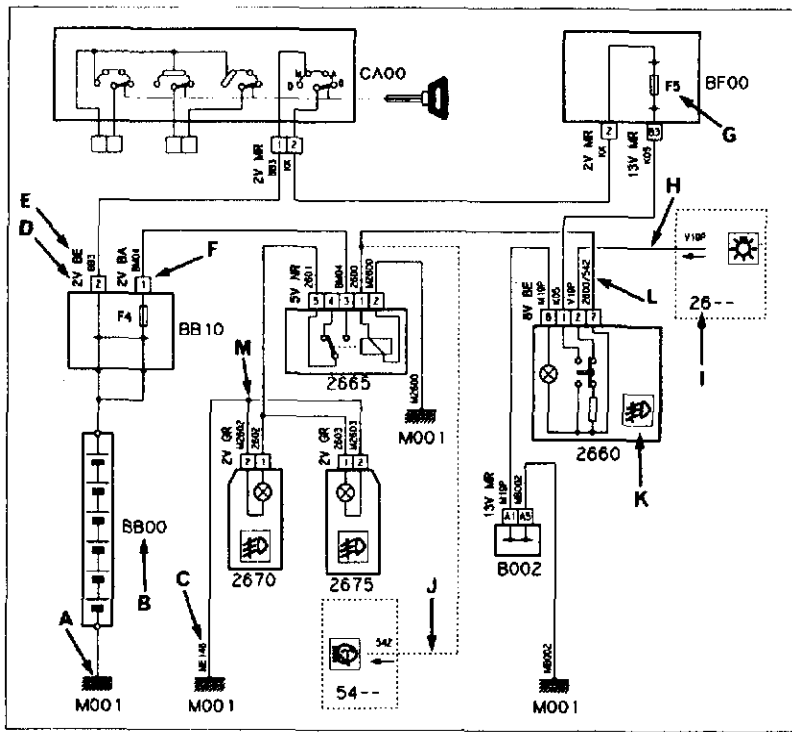
BB00	Battery	1160	Pre-heater plugs
BB10	Supply box	1208	Diesel fuel injection pump (advance correction, fuel cut-off solenoid)
BMF1	Max.-fuse box	1211	Fuel gauge pump
BMF2	Max.-fuse box	1215	Canister discharge electrovalve
BF00	Fuse box	1217	Canister discharge cut off electrovalve
B001	Equipotential post + side and tail lamps	1220	Engine water thermal sensor
B002	Earth equipotential post	1225	Idling regulation stepper motor
B003	Earth equipotential post	1230	Additional air control
B004	Equipotential post + battery	1238	ACA V electrovalve
CA00	Anti theft switch	1239	Idling actuator
C001	Diagnostic connector	1240	Inlet air thermal sensor
C3100	Caravan lighting battery positive supply connector	1252	Diesel fuel advance corrector relay
C8201	Coded anti theft connector	1255	Fuel cut-off solenoid
		1270	Carburettor or throttle butterfly housing heating element
V1000	Charge warning lamp	1273	Oil fumes heater
V1150	Pre-heater warning lamp	1280	Long ACAV electrovalve
V1300	Injection-ignition test warning lamp	1281	Short ACAV electrovalve
V2320	L.H. direction indicator warning lamp	1304	Injection multi-function double relay
V2330	R.H. direction indicator warning lamp	1312	Inlet manifold pressure sensor
V2600	Side and tail lamps warning lamp	1313	Engine speed sensor
V2610	Dipped beams warning lamp	1314	Atmospheric pressure speed sensor
V2620	Main beams warning lamp	1317	Throttle potentiometer
W004	Stop warning lamp	1320	Ignition injection E C U
V4020	Engine water temperature warning lamp	1331	Cylinder 1 injector
V4040	Screen washer fluid min. level warning lamp	1332	Cylinder 2 injector
V4050	Water-in-oil warning lamp	1333	Cylinder 3 injector
V4110	Engine oil pressure warning lamp	1334	Cylinder 4 injector
V4120	Engine oil level warning lamp	1350	Front (or single) oxygen sensor
V4130	Engine oil temperature warning lamp		
V4300	Fuel min. level warning lamp	1400	TDC/ sensor
V4400	Parking brake warning lamp	1505	Cooling fan engagement thermal switch
V4430	Brake pad wear warning lamp		
V4730	Safety belt warning lamp	1506	Two-speed cooling fan resistor
V4800	Catalytic converter temperature warning lamp	1510	Engine cooling fan
V6640	Ride height correction fluid level warning lamp	1620	Vehicle speed sensor
V7000	ABS test warning lamp	0002	Signals and lighting switch
V7700	Suspension test warning lamp		
		2000	Rear fog/lamp switch
1000	Starter inhibitor switch	2005	Rear fog lamps relay
1005	Starter safety relay	2100	Stop-lamp switch
1010	Starter motor	2110	Additional stop lamps
1020	Alternator	2200	Reversing lamp switch
1104	Advance correction solenoid	2300	Hazard warning lamp switch
1105	Ignition module	2305	Direction indicator unit
1115	Cylinder reference sensor	2320	L.H. front direction indicator
1120	Knock sensor	2325	R.H. front direction indicator
1125	Accelerator pedal switch	2340	L.H. side repeater flasher
1135	Ignition coil	2345	R.H side repeater flasher
1136	Ignition coil suppressor	2505	Air horn compressor relay
1150	Pre-heater control unit	2510	Air horn compressor
1156	Post-heating relay	2520	Horn
1157	Post-heater thermal switch		

Key to components - continued (not all items fitted to all models)

2610	L.H. headlamp	5015	Windscreen wiper motor
2615	R.H. headlamp	5105	Screen washer heated jets
2620	L.H. front side lamp	5110	Screen washer fluid level switch
2625	R.H. front side lamp	5115	Front/rear screen washer pump
2630	L. H. rear lamp cluster on bodyshell	5202	Rear screen wiper switch
2631	R.H. rear lamps on boot lid	5203	Rear screen washer switch
2632	L.H. rear lamps on boot lid	5210	Rear screen wiper control unit
2633	R.H. number plate lighting	5215	Rear screen wiper motor
2635	R.H. rear lamp cluster on bodyshell	5400	Headlamp washer delay timer relay
2636	L.H. number plate lighting	5405	Headlamp washer pump
2660	Front foglamp switch		
2665	Front foglamps relay	6000	L.H. door L.H. window winder switch
2670	L.H. foglamp	6005	R.H. door R.H. window winder switch
2675	R.H. foglamp	6010	R.H. door L.H. window winder switch
		6021	Window winder relay
3000	L.H. front door pillar switch	6030	Sequential window winder control unit
3001	R.H. front door pillar switch	6040	L.H. front window winder motor
3002	L.H. rear door pillar switch	6045	R.H. front window winder motor
3003	R.H. rear door pillar switch	6100	L.H. rear window winder rear switch
3004	Lighting timer unit	6105	R.H. rear window winder rear switch
3024	L.H. interior lamp	6110	L.H. rear window winder front switch
3025	R.H. interior lamp	6115	R.H. rear window winder front switch
3031	R.H. front map reading lamp	6120	Rear window winder locking switch
3032	L.H. front map reading lamp	6121	Rear functions locking relay
3033	R.H. rear map reading lamp	6125	Rear window winder relay
3034	L.H. rear map reading lamp	6130	L.H. rear window winder motor
3050	Lighting rheostat	6135	R.H. rear window winder motor
3060	Sun visor mirror lighting	6202	L. H. front door lock assembly
3070	Gear selector lighting	6207	R.H. front door lock assembly
3100	Boot lighting switch	6212	L.H. rear door lock assembly
3105	Boot (or tailgate) lighting	6217	R. H. rear door lock assembly
3110	Glove box lighting switch	6230	Door locking receiver (PLIP)
3115	Glove box lighting	6235	Door locking control unit
		6260	Boot door locking motor
0004	Instrument cluster	6265	Fuel filler flap locking motor
4025	Engine water thermal switch/sensor	6302	Driver's seat adjustment assembly
4030	Engine water thermal sensor	6303	Passenger's seat adjustment assembly
4050	Water-in-fuel sensor	6320	Driver's seat slide motor
4110	Engine oil pressure switch	6325	Passenger's seat slide motor
4111	Oil thermal sensor + engine oil pressure switch	6332	Driver's seat front base motor
4120	Oil level sensor	6334	Driver's seat rear base motor
4210	Tachometer	6337	Passenger's seat front base motor
4400	Parking brake switch	6339	Passenger's seat rear base motor
4410	Brake fluid level switch	6350	Driver's seat backrest inclination motor
4430	L.H. front brake pads	6355	Passenger's seat backrest inclination motor
4431	R.H. front brake pads	6360	Driver's seat adjustment relay
4720	Lights-on audible warning lighting	6365	Passenger's seat adjustment relay
4800	Catalytic converter thermistor	6370	Pump + electrovalve assembly adjustment (driver's seat)
4805	Catalytic converter temperature control unit	6375	Pump + electrovalve assembly adjustment (passenger's seat)
0005	Wiping switch	6406	Rear view mirrors switch
5010	Windscreen wiper control unit		

Key to components - continued (not all items fitted to all models)

6407	Electric rear view mirror control unit	8020	Refrigeration compressor
6410	Driver's rear view mirror	8025	Air conditioning panel
6415	Passenger's rear view mirror	8030	Vehicle interior air temperature sensor
6540	Pyrotechnic seat belt control unit	8032	Outside air temperature sensor
6545	Driver's pyrotechnic seat belt pre-tensioner	8034	Feet level air temperature sensor
6546	Passenger's pyrotechnic seat belt pre-tensioner	8035	Interior temperature electronic thermostat
6565	Driver's airbag module	8037	Louvre air temperature sensor
6566	Rotary switch	8040	Air blower speed control
6632	Hydraulic circuit fluid pressure switch	8045	Air blower control module
6800	Sun-roof switch	8046	Air blower speed resistance
6801	Sun-roof sliding end-of-travel switch	8050	Air blower motor
6802	Sun-roof tilt position end-of-travel switch	8065	Reduction motor mixer flap
6805	Sun-roof relay	8080	Air conditioning ECU
6806	Sun-roof zero position switch	8100	Front cigar lighter
6807	Sun-roof relay in sun-roof assembly	8110	Heated rear window switch
6810	Sun-roof motor	8116	Heated rear screen timer relay
6820	Sun-roof, complete	8120	Heated rear screen
7000	L. H. front wheel ABS sensor	8200	Coded anti-theft keyboard
7005	R.H. front wheel ABS sensor	8203	ECU supply relay circuit diode
7010	L.H. rear wheel ABS sensor	8204	Injection ECU re-energising relay
7015	R.H. rear wheel ABS sensor	8301	Heated seat regulation control unit
7018	Road wheels ABS relay	8302	Driver's heated seat rheostat
7020	Road wheels ABS ECU	8303	Passenger's heated seat rheostat
7040	Additional regulation unit (GRA)	8308	Heated seats relay
7220	Clock	8310	Driver's heated seat
7222	Outside air temperature sensor	8315	Passenger's heated seat
7300	Cruise control switch	8410	Car audio
7305	Cruise control selector switch	8413	Radio control
7306	Cruise control safety switch (clutch)	8414	Radio rotary switch
7307	Cruise control safety relay	8415	Compact disc loader
7310	Cruise control ECU	8416	Compact disc interface
7315	Cruise control vacuum pump-venting valve assembly	8420	L.H. front loudspeaker
7320	Cruise control safety electrovalve	8425	R.H. front loudspeaker
7400	Outside temperature display	8430	L.H. rear loudspeaker
7700	Steering angle sensor	8435	R.H. rear loudspeaker
7705	Bodyshell movement sensor	8440	L.H. front tweeter loudspeaker
7706	Brake pressure switch	8445	R.H. front tweeter loudspeaker
7707	Accelerator pedal sensor	8600	Anti-theft alarm control unit
7710	Suspension switch	8601	Anti-theft alarm switch under bonnet
7715	Suspension ECU	8603	Anti-theft alarm switch
7716	Suspension electrovalve (single or front)	8604	Volume sensor
7717	Rear suspension electrovalve	8605	Anti-theft alarm siren
7770	Hydraulic fluid level and/or pressure audible warning	8606	Anti-theft alarm LED
8000	Refrigeration switch	8610	Anti-theft alarm boot switch
8005	Refrigeration compressor relay	8615	Dipped beams supply relay for alarm
8006	Evaporator thermal sensor	8616	Anti-theft alarm relay
8007	Pressostat		
8008	Refrigeration engine water thermal sensor		
8010	Water temperature control unit		
8015	Refrigeration compressor cut-off relay		



1	2	3	4	5	6
7	8	9	10	11	12
13	14	15	16	17	18
19	20	21	22	23	24
25	26	27	28	29	30
31					

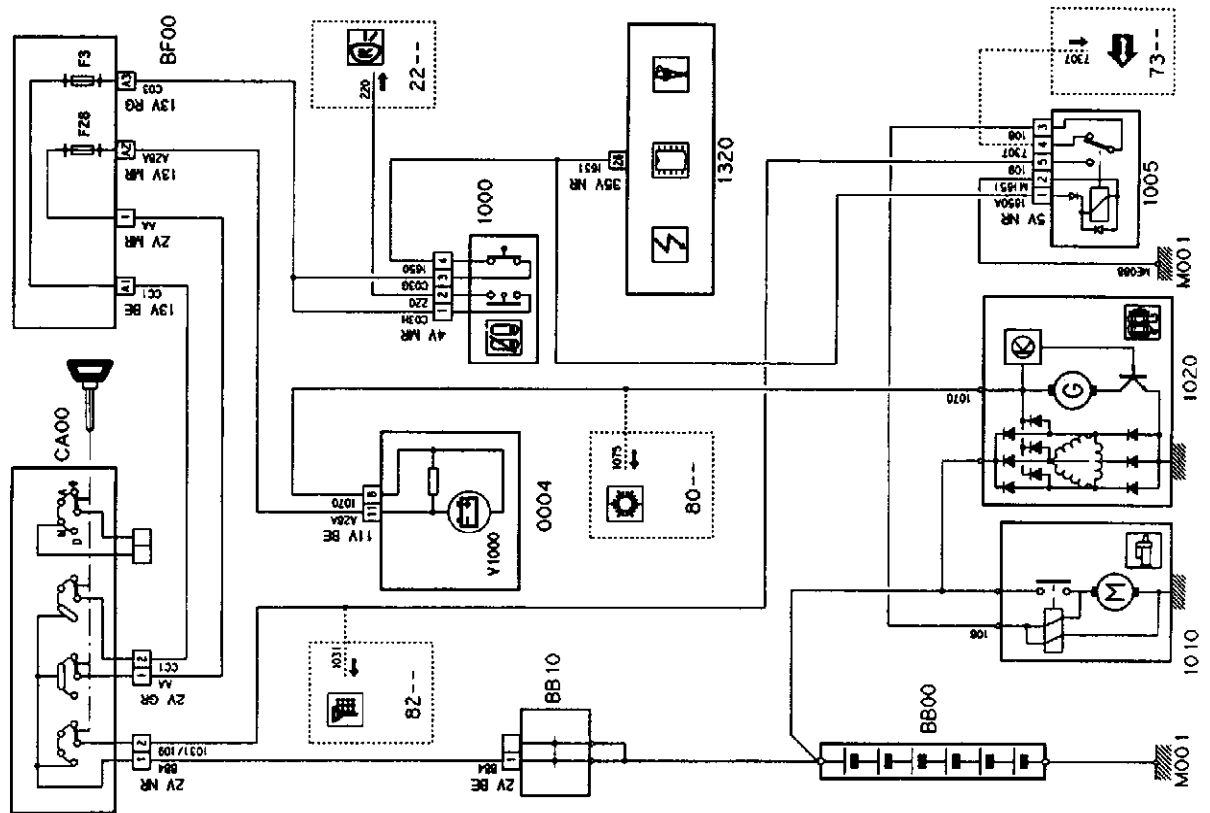
- | | |
|--------------------------------|---------------------------------|
| A Earthing point | H To/from another circuit |
| B Component number | I Number of component concerned |
| C Wire number | J If fitted |
| D Number of connector channels | K Circuit representation |
| E Connector colour | L Joined leads |
| F Connector socket number | M Wire joint/splice |
| G Fuse number | |

- | | |
|-----------|-----------|
| BA White | NR Black |
| BE Blue | OR Orange |
| BG Beige | RG Red |
| GR Grey | RS Pink |
| JN Yellow | VE Green |
| MR Brown | VI Violet |
| MV Mauve | |

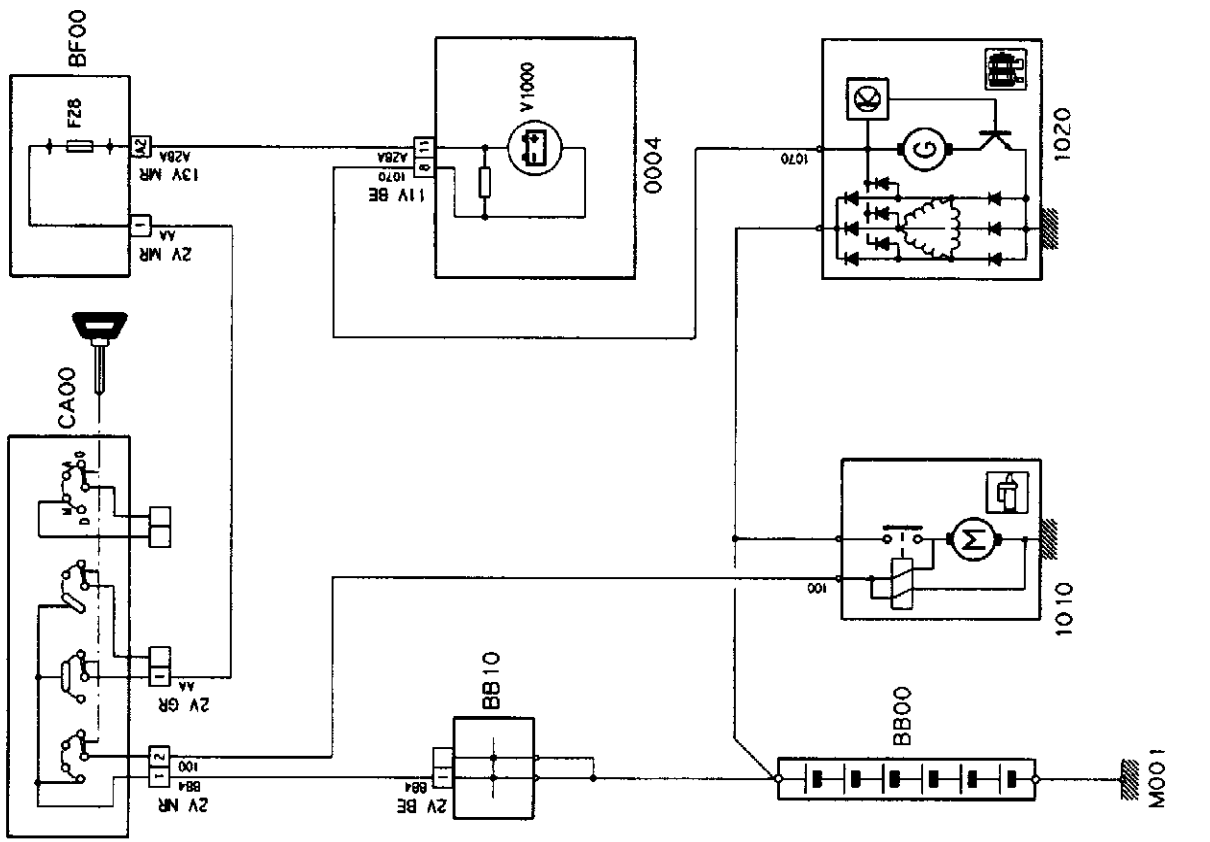
How to read the wiring diagrams/colour coding

- | | | |
|----------------------------------|----------------------------|-------------------------|
| 1 Resistance | 12 Piezo-electrical sensor | 23 Light emitting diode |
| 2 Rheostat | 13 NPN transistor | 24 Photo diode |
| 3 Potentiometer | 14 PNP transistor | 25 Thermocouple |
| 4 Fuse | 15 Lambda probe | 26 Key |
| 5 Shunt | 16 Suppressor | 27 Earth |
| 6 Coll | 17 Screening | 28 Splice |
| 7 Solenoid valve | 18 Diode | 29 Battery |
| 8 Compressor | 19 Horn/loudspeaker | 30 Socket |
| 9 Motor | 20 Warning light | 31 General switch |
| 10 Two speed motor | 21 Light bulb | |
| 11 Alternating current generator | 22 Double filament bulb | |

Key to symbols



Starting and charging system (petrol, automatic gearbox)



Starting and charging system (petrol, manual gearbox)

